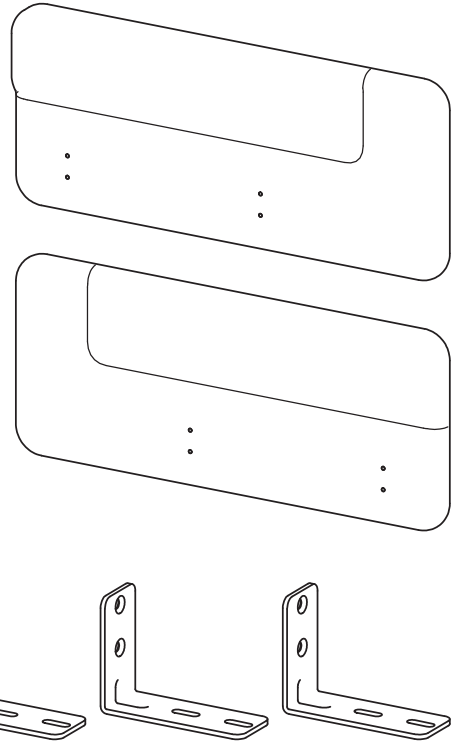


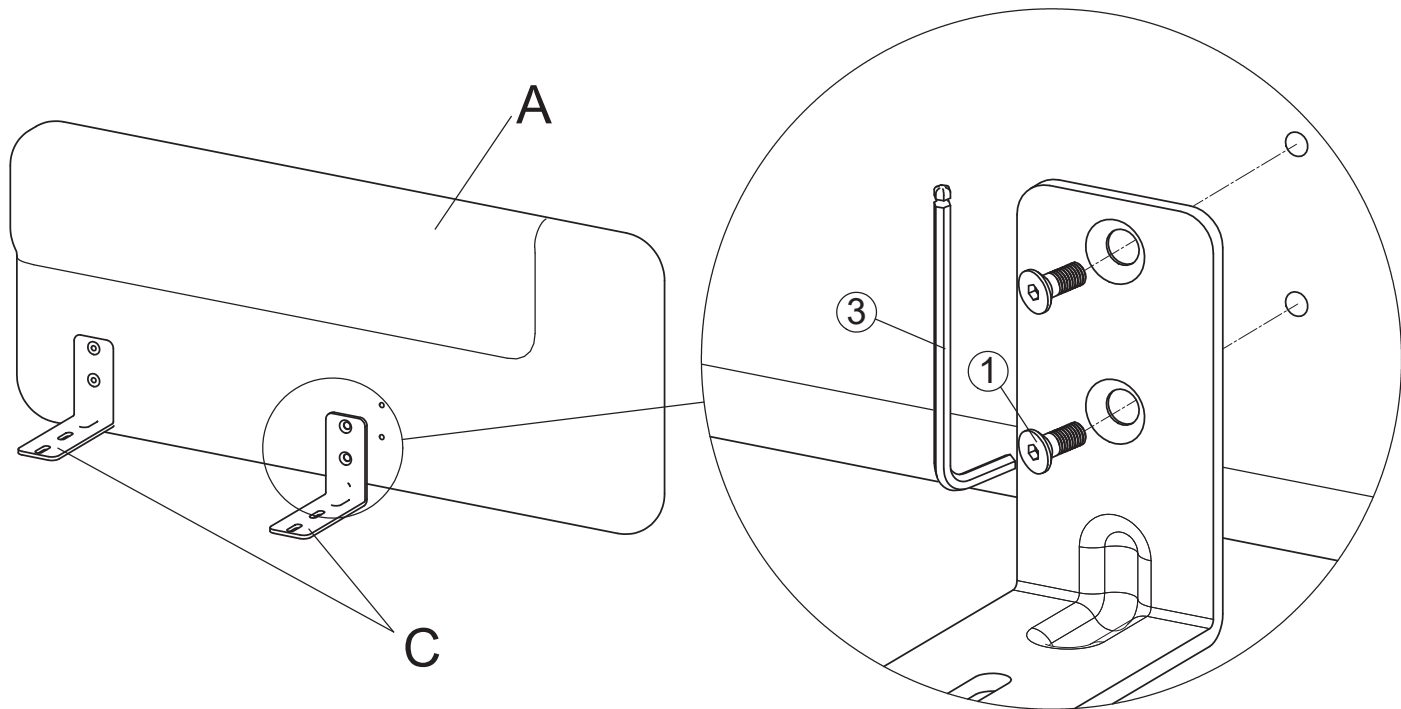


- ① x 8
- ② x 8
- ③ x 1



1

- ① x 4



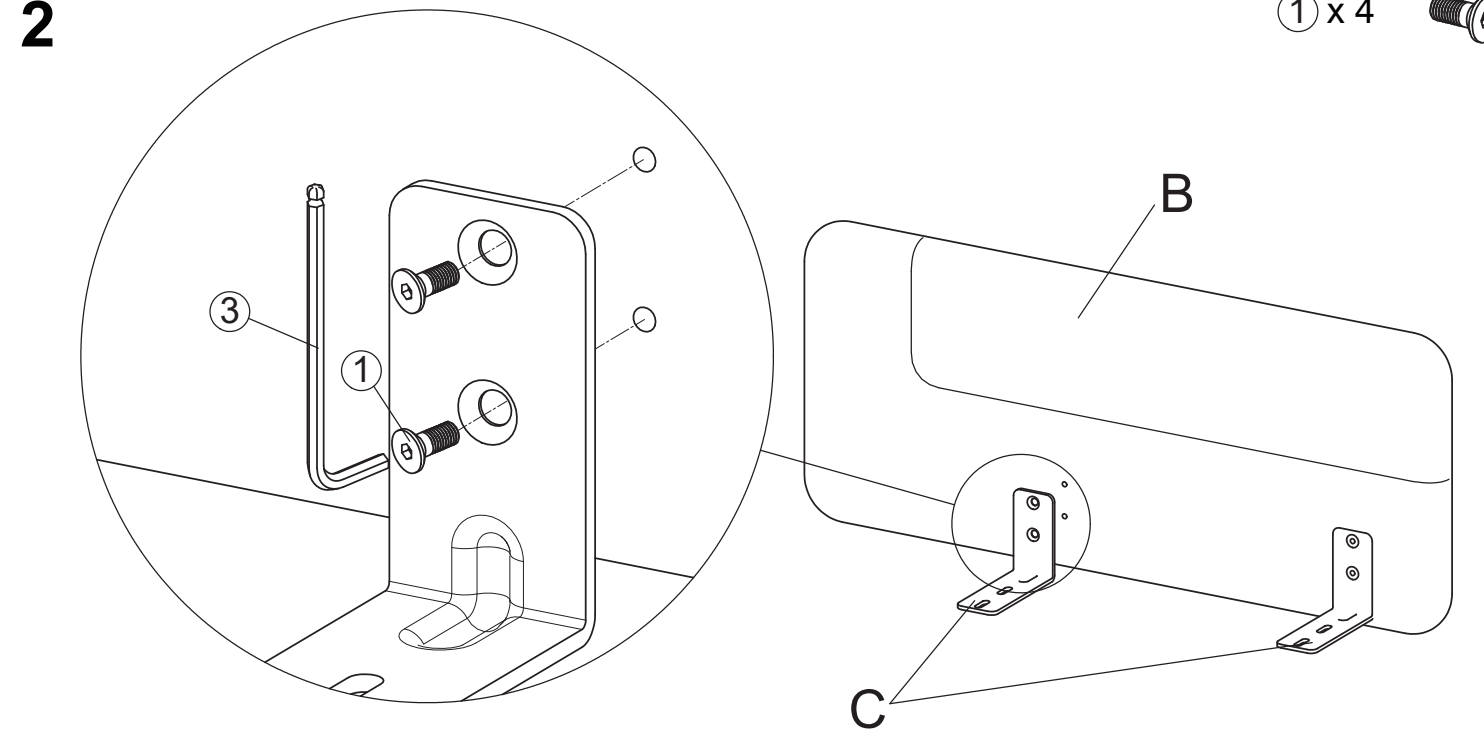
2

- ① x 4

A x 1

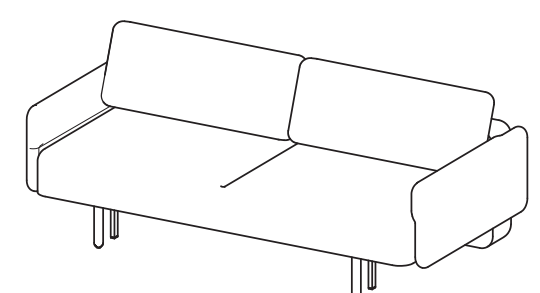
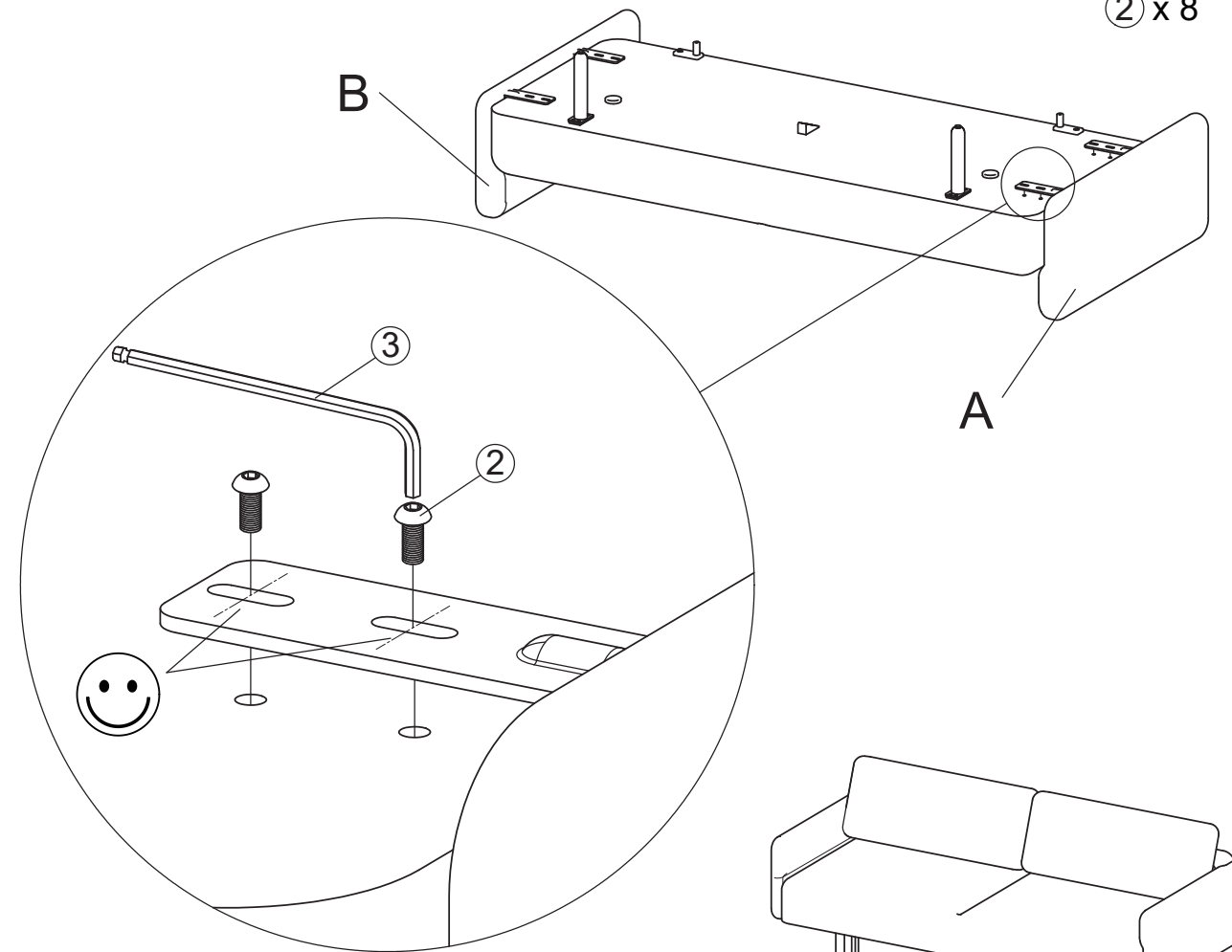
B x 1

C x 4



3

- ② x 8



069803